

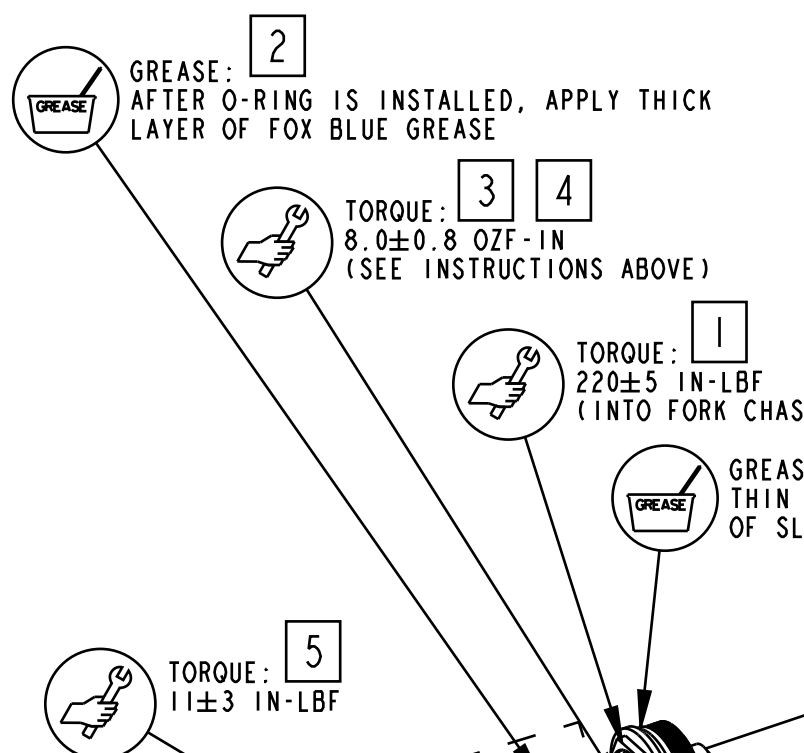
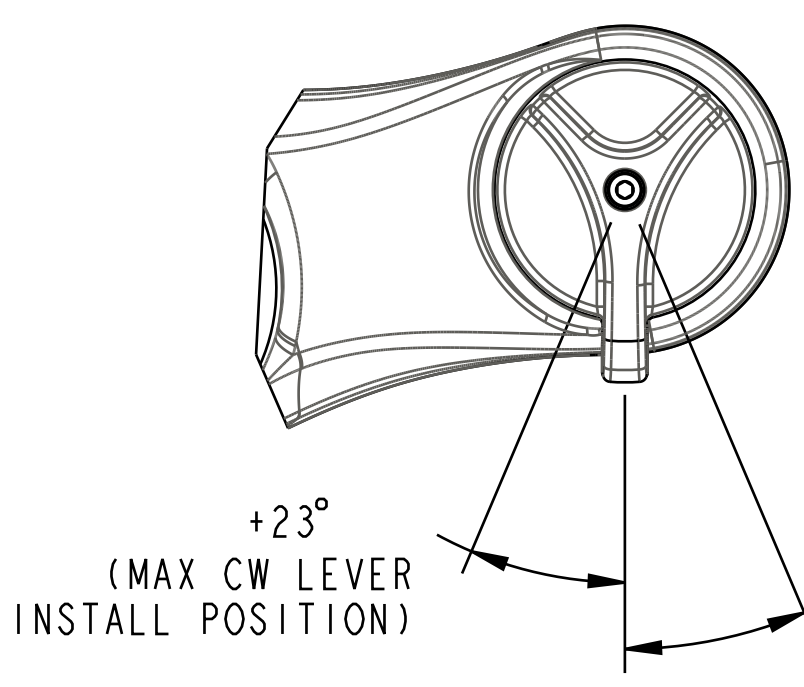
PROPRIETARY  
THIS DOCUMENT CONTAINS CONFIDENTIAL, PROPRIETARY INFORMATION  
THAT IS FOX PROPERTY. DO NOT DISCLOSE TO OR DUPLICATE  
FOR OTHERS EXCEPT AS AUTHORIZED BY FOX.

**FINAL TOPCAP AND COMP LEVER INSTALLATION INSTRUCTIONS:**

- 1 AFTER OIL INSTALLATION, CYCLING DAMPER SHAFT AND PULLING DAMPER SHAFT TO FULL TOPOUT, INSTALL AND TORQUE TOPCAP ASSEMBLY TO  $220 \pm 5$  IN-LBF.
- 2 GREASE O-RING INSIDE TOPCAP COUNTERBORE WITH THICK LAYER OF FOX BLUE GREASE.
- 3 TORQUE COMPRESSION NEEDLE TO 2.0 IN-LBF TO SEAT SHIMS AND COMP HAT, THEN OPEN 1/4 TURN. DO NOT COMPRESS FORK.
- 4 TORQUE COMPRESSION NEEDLE TO FINAL  $8.0 \pm 0.8$  OZF-IN.
- 5 INSTALL LEVER TO ENGAGE THE OCTAGON OF THE COMP NEEDLE TO WHICHEVER IS CLOSEST TO 6 O'CLOCK WITHIN  $\pm 23^\circ$  SPEC. IF THE CLOSEST ENGAGEMENT IS CW, AS THE LEVER IS BEING PUSHED DOWN AND THE TAB GETS CLOSE TO THE CROWN, ROTATE THE LEVER CCW TO THE 6 O'CLOCK POSITION BEFORE PUSHING THE LEVER ALL THE WAY DOWN. INSTALL AND TORQUE THE M2.5 SCREW (019-01-115) TO  $11 \pm 3$  IN-LBF.

GREASE:  
THIN LAYER  
OF SLICK HONEY

IMPORTANT:  
INSPECT 100% THAT RETAINING RING  
IS FULLY INSTALLED INTO GROOVE FULL 360°



820-03-636-KIT  
2020 Marzocchi Z2 34 E-Bike+ RAIL 100-150 Damper Shaft Assy Complete

135cc of 5wt. Teflon Infused Oil in Damper

Retaining Ring: Internal, Smalley HHM-31-S02, Hoopster, 302 SS

820-05-642-KIT  
2020 Marzocchi Z2 34 E-Bike+ RAIL Topcap Comp Assy, Black Ano

Seals: O-Ring [22.5mm X 1.5mm CS] Metric, N-70, Static

Rebound Knob, 2020 Marzocchi Z2 Rail Damper

Compression Lever, 2020 Marzocchi Z2 (34)

018-01-004-A  
Fastener, Standard: Screw [#8-32 X 0.250  
TLG] 303 SS, Socket Set Half Dog Point

Fastener Standard (Metric): Screw [M2.5 X 6mm] Socket Head Cap, SS

820-05-615-KIT  
2020 Marzocchi Z2 34 Rail Bottom Stud Interface Parts

820-05-614-KIT  
2020 Marzocchi Z2 34 Rail Topcap Interface parts

803-01-818  
Kit: Fastener, Custom: Washer  
[8.26mm ID X 14.75mm OD X 0.79mm TH],  
Acetal, Quantity 20

803-01-819  
Kit: Fastener, Custom:  
M8x1.0 Fine Thread Flanged Nut,  
Quantity 10

TORQUE:  
 $50 \pm 5$  IN-LBF  
(INTO FORK CHASSIS)

TORQUE:  
 $5.0 \pm 0.5$  IN-LBF

 <b>marzocchi</b> A FOX BRAND	
<b>2020 Marzocchi Z2 34 E-Bike+ RAIL 100-150 Travel Cart Assy Complete</b>	
SIZE C	PART NO. <b>820-18-338-KIT</b>
PLOT SCALE 1:1	SHEET 1 OF 1